

CHUTONG ELECTRIC CO LIMITED

Magnifying led lamp-with UV light

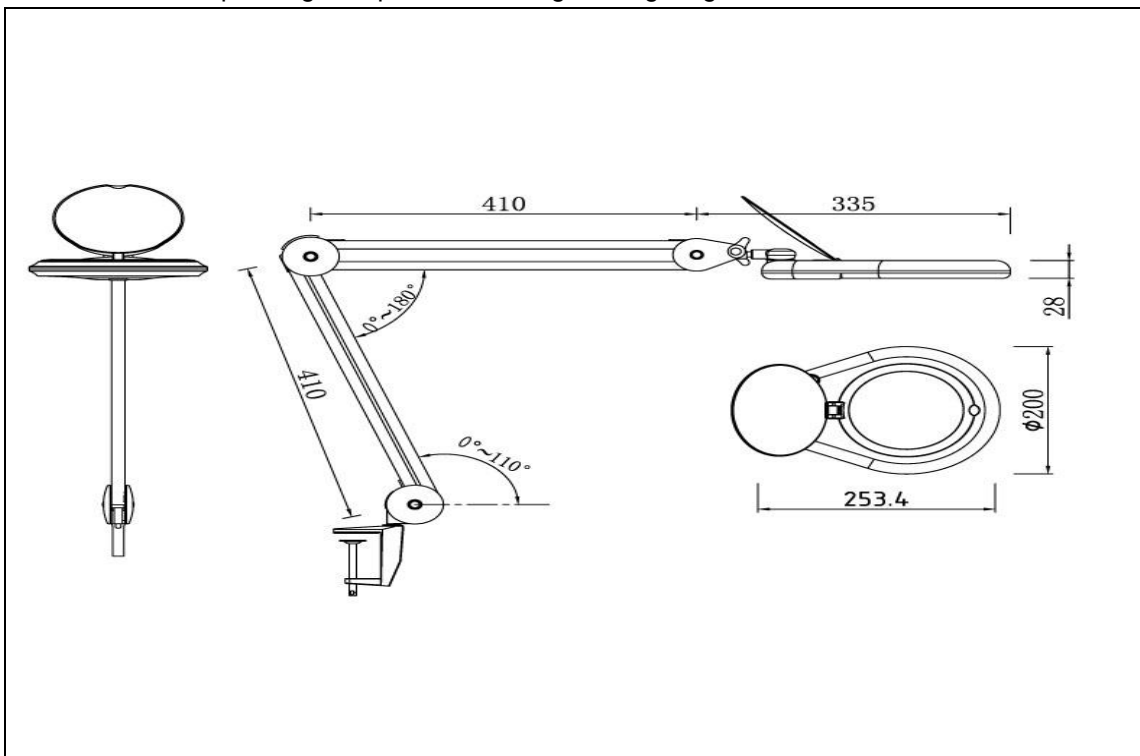
	<p>Item number CH127UV CH127UV-ESD Lightness: UV ultraviolet Body: black color ESD Arm 410mm*2 With clamp lens:127mm magnification: 5 diopter</p> <p>UV light ultraviolet light Clamp base Black body ESD black body</p> <p>14W led lightsource None dim</p>
---	--

Magnifying lamp application

1 suitable for circuit board inspection, processing, installation at electronics industry. Electronic engineers to observe and test the micro elements, components of dense circuit board

2 suitable for engraving, fine operation and observation.

3 suitable for simple surgical operation. Enlarge the lighting for beautician and medical staff



CHUTONG ELECTRIC CO LIMITED

specification

Non ESD black body	ESD black body
CH127UV-3 diopter	CH127UV-ESD-3 diopter
CH127UV-5 diopter	CH127UV-ESD-5 diopter
CH127UV-8 diopter	CH127UV-ESD-8 diopter

Base:

Clamp/desk top/floor

Product Description

Industrial Magnifying Lamp with Articulating arm

brand new design LED Magnifier Super-wide, ultra slim and stylish lens. Long reach, professional grade articulated arms, Very high brightness LED Illuminated magnifier. Balanced enclosed spring metal arms. Huge 130mm diameter mm round glass lens. Bright White large LED Illumination

Plugs into mains with a transformer built into the plug delivering a 12V internal voltage making it very safe and extremely economical to use.

The arms on this magnifier have been specially specified to be very long lasting and suitable for industrial use.

Diffuser for comfortable, glare free observation.

Tiltable and rotatable head. Colour white

Suitable for domestic, industrial, medical and professional use.

The lenses provide exceptionally high, crisp and bright image quality.

lens can be changed if necessary without wastng the whole magnifier